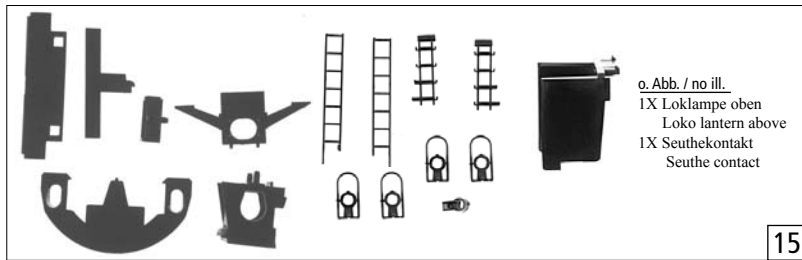
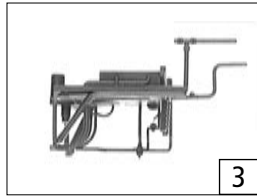
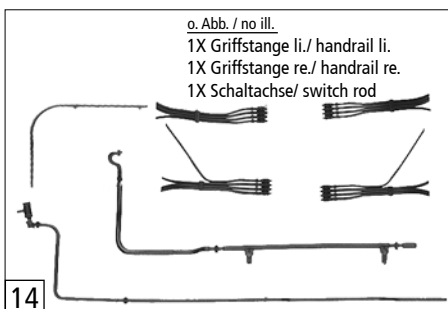
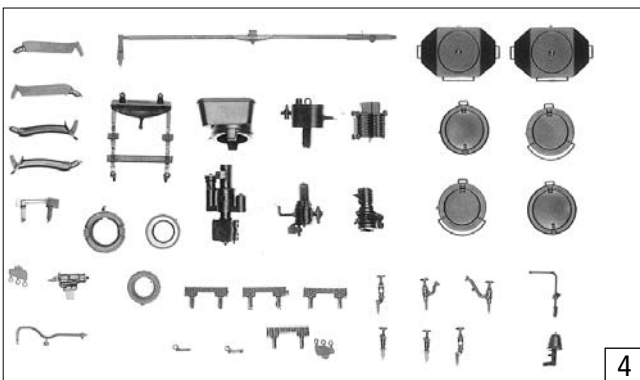


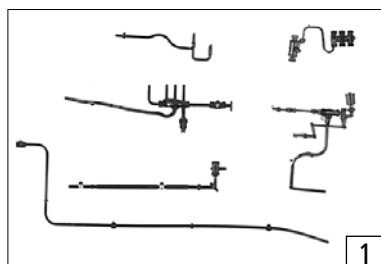
16 o. Abb. / no ill.  
Tafelsätze  
Number board set



o. Abb. / no ill.  
1X Loklampe oben  
Loko lantern above  
1X Seuthekontakt  
Seuthe contact



o. Abb. / no ill.  
1X Griffstange li./ handrail li.  
1X Griffstange re./ handrail re.  
1X Schaltachse/ switch rod



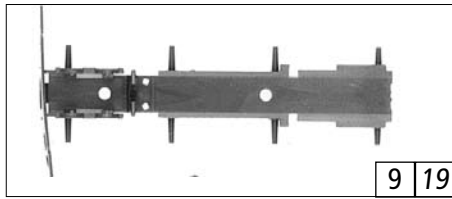
| Pos. Nr.<br>Pos. no. | Beschreibung<br>Description                                    | Art.-Nr.<br>Art. no. | Preisgruppe<br>Price bracket |
|----------------------|--|----------------------|------------------------------|
| 63292                | DB 50  | ≡                    |                              |
| 69292                |  | ~                    |                              |
| 1                    | Kesselsteckteilesatz<br>Boiler part set                        | 100145               | 14                           |
| 2                    | Lokgewicht<br>Boiler weight                                    | 100148               | 10                           |
| 3                    | Kupplungsauflagesatz<br>Coupling block                         | 100156               | 3                            |
| 4                    | Steckteilesatz<br>Push in parts set                            | 100678               | 25                           |
| 5                    | Wind Witte links<br>Witte smoke deflector left                 | 109502               | 10                           |
| 6                    | Wind Witte rechts<br>Witte smoke deflector right               | 109503               | 10                           |
| 7                    | Lichtabdeckung<br>Light cover                                  | 108223               | 2                            |
| 8                    | Ölkanne<br>Oil canister  | 114884               | 3                            |
| 9                    | GF-Schraube M2x5<br>GF-Screw M2x5                              | 114966               | 2                            |
| 10                   | Kessel komplett Betr. Nr. 50 622<br>Boiler assembly no. 50 622 | 120201               | 80                           |
| 11                   | Kesselboden<br>Boiler bottom                                   | 120202               | 20                           |
| 12                   | Führerhaus Nr. 50 622<br>Drivers cab no. 50 622                | 120204               | 31                           |
| 13                   | Fensterlichtleitstäbesatz<br>Glazing light transmission set    | 120205               | 12                           |
| 14                   | Sandrohrsatz+Griffstangen<br>Sand tube set                     | 120206               | 14                           |
| 15                   | Teilesatz Kessel - Tender<br>Parts set boiler - tender         | 120207               | 10                           |
| 16                   | Tafelsätze o. Abb.<br>Number board set no ill.                 | 120208               | 25                           |
| 17                   | Umlaufblech<br>Gandway   | 120209               | 37                           |

Änderungen in Konstruktion und Ausführung vorbehalten  
We reserve the right to change the construction and specification

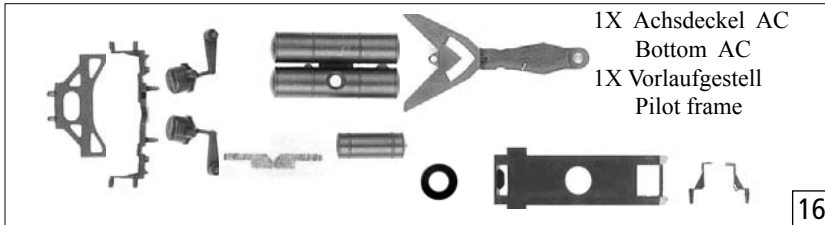
|       |    |    |   |
|-------|----|----|---|
| 63292 | DB | 50 | ≡ |
| 69292 |    |    | ~ |

| Pos. Nr.<br>Pos. no. | Beschreibung<br>Description                        | Art.-Nr.<br>Art. no. | Preisgruppe<br>Price bracket |
|----------------------|--|----------------------|------------------------------|
| 1                    | Blattfeder<br>Spring                               | 86220                | 4                            |
| 2                    | Zahnrad Z=17<br>Gear Z=17                          | 86409                | 2                            |
| 3                    | Zahnrad Z=19<br>Gear Z=19                          | 86417                | 2                            |
| 4                    | Schnecken Zahnrad<br>Gear                          | 86490                | 4                            |
| 5                    | Puffer flach<br>Buffer flat                        | 88556                | 4                            |
| 6                    | Puffer gewölbt<br>Buffer vaulted                   | 88557                | 4                            |
| 7                    | Schiebereinsatz<br>Slinder insert                  | 92420                | 2                            |
| 8                    | Brückenstecker<br>Bridge connector                 | 100644               | 7                            |
| 9                    | Kontaktsatz rot<br>Contact set red                 | 100698               | 10                           |
| 10                   | Drahtlampe T3/4 16V 30mA<br>Light bulb             | 108616               | 10                           |
| 11                   | Lockgetriebedeckel<br>Loco gear cover              | 109406               | 20                           |
| 12                   | Kesselplatine komplett<br>Printed circuit assembly | 112338               | 38                           |
| 13                   | GF-Schraube M1,6x4<br>GF-Screw M1,6x4              | 114850               | 2                            |
| 14                   | GF - Schraube M 2x4<br>Screw M 2x4                 | 114877               | 2                            |
| 15                   | Antriebsteilesatz<br>Part set drive                | 120188               | 28                           |
| 16                   | Teilesatz<br>Part set                              | 120210               | 24                           |
| 17                   | Steuerung komplett<br>Steering assembly            | 120211               | 73                           |
| 18                   | Lokgrundrahmen<br>Frame                            | 120212               | 24                           |

| Wechselstrom AC~ |  |        |    |
|------------------|--|--------|----|
| 19               | Kontaktsatz<br>Contact set red                 | 109882 | 10 |
| 20               | Kesselplatine kpl.<br>Printed circuit assembly | 109883 | 48 |

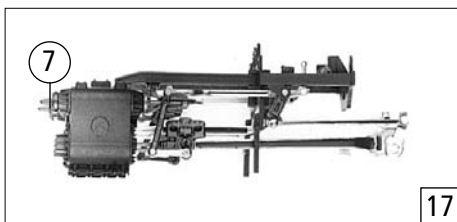


9 19

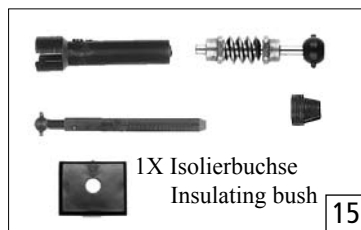


1X Achsdeckel AC  
Bottom AC  
1X Vorlaufgestell  
Pilot frame

16

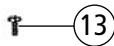


17



1X Isolierbuchse  
Insulating bush

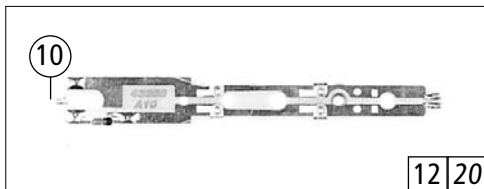
15



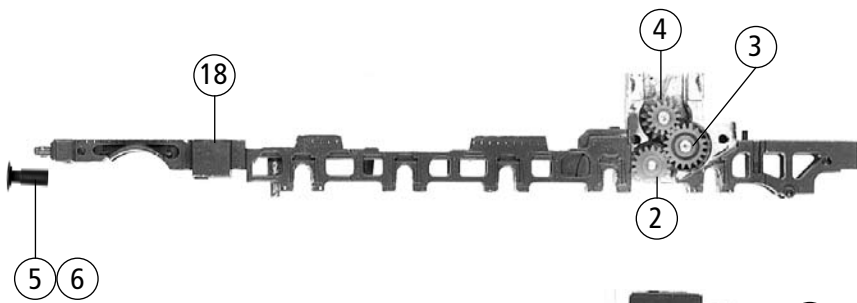
13



8



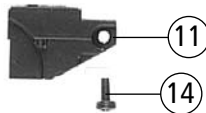
12 20



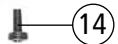
5 6



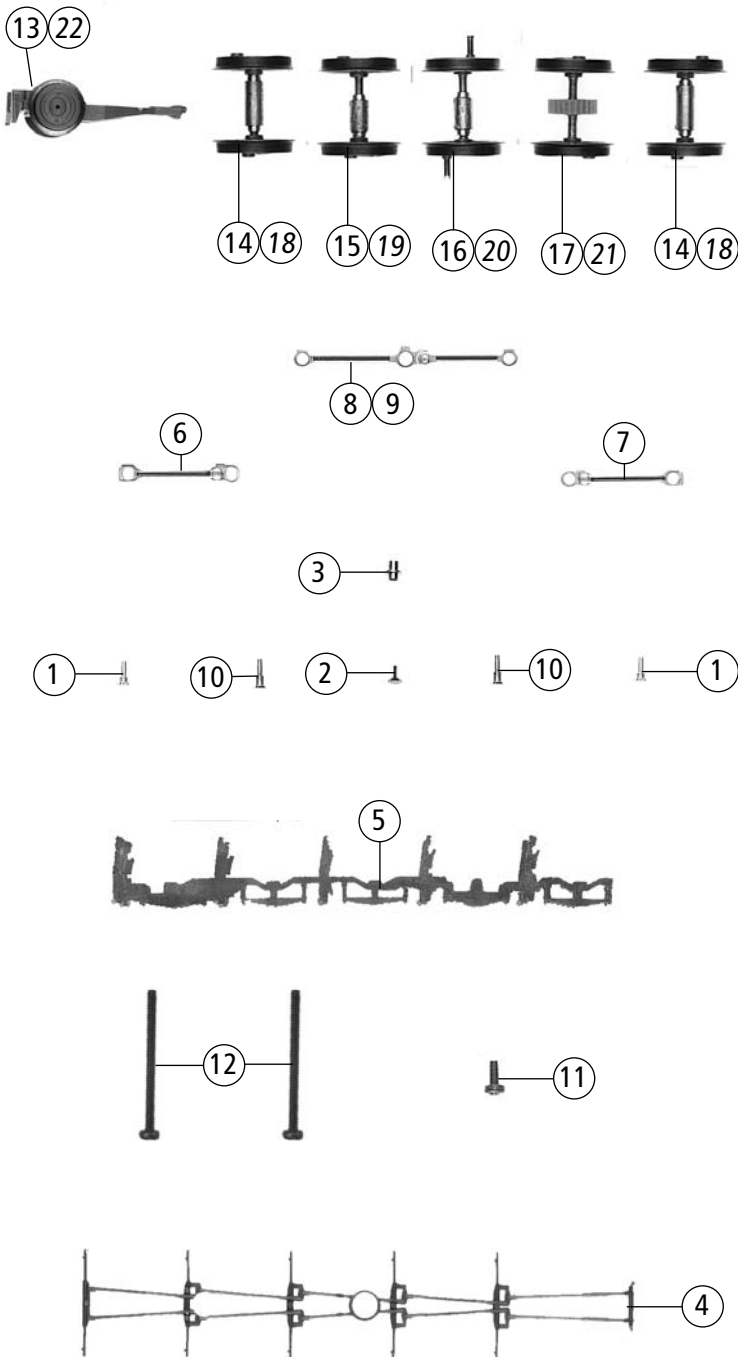
1



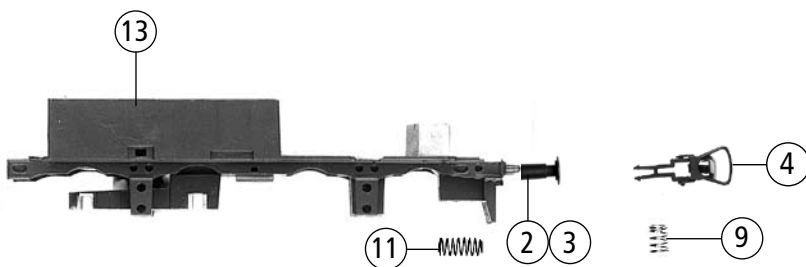
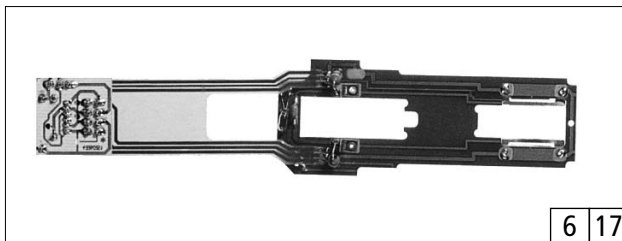
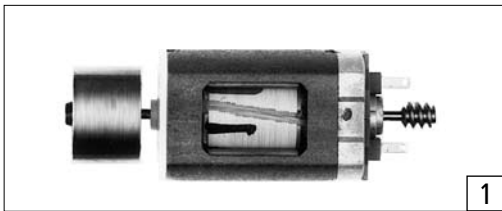
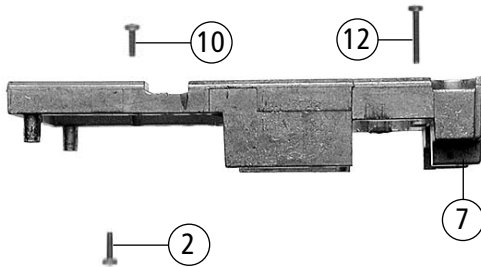
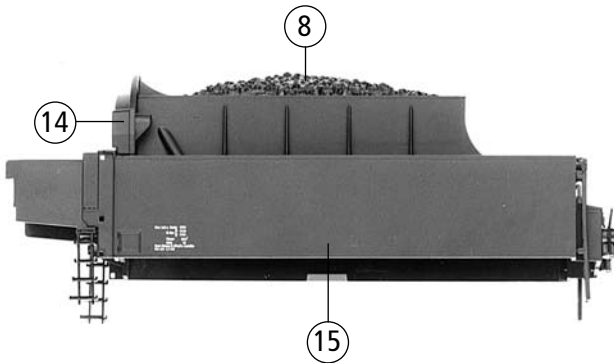
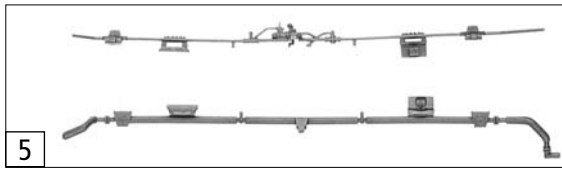
11



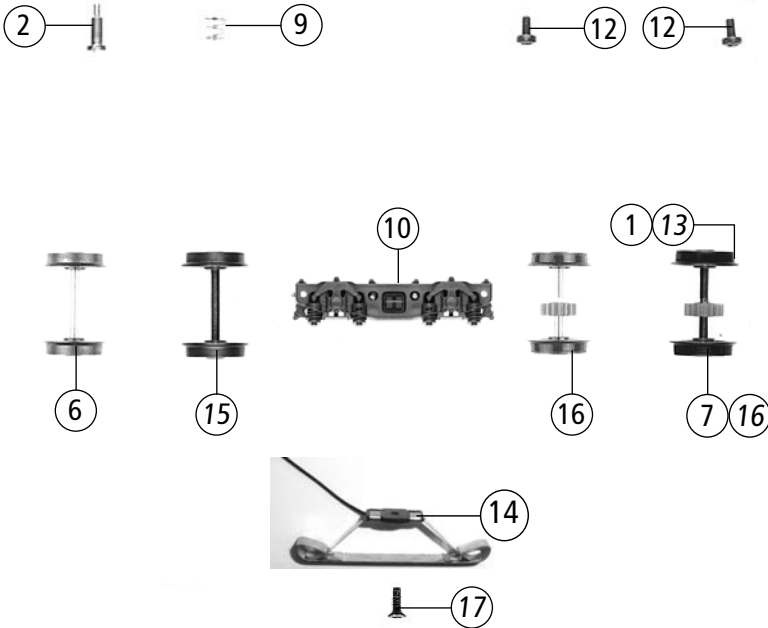
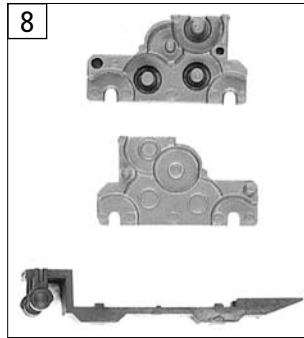
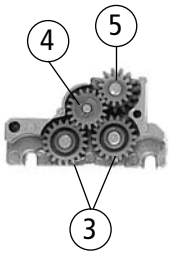
14



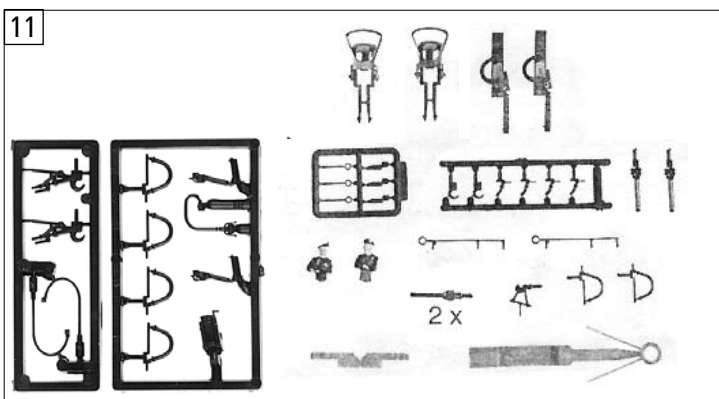
| Pos. Nr.<br>Pos. no.     | Beschreibung<br>Description                                   | Art.-Nr.<br>Art. no. | Preisgruppe<br>Price bracket |
|--------------------------|---|----------------------|------------------------------|
| 1                        | Schraube M1,4x3,2/1.1<br>Screw M1,4x3,2/1.1                   | 85764                | 2                            |
| 2                        | Schraube M1x3,6<br>Screw M1x3,6                               | 85765                | 2                            |
| 3                        | Distanzhülse<br>Distance tube                                 | 86104                | 5                            |
| 4                        | Bremsgestänge<br>Brake linkage                                | 100153               | 2                            |
| 5                        | Bremsrahmen<br>Loco underbody cover                           | 100274               | 20                           |
| 6                        | Kuppelstange li.<br>Connecting rod left                       | 108215               | 9                            |
| 7                        | Kuppelstange re<br>Connecting rod right                       | 108216               | 9                            |
| 8                        | Kuppelstange mitte li.<br>Connecting rod middle left          | 108217               | 9                            |
| 9                        | Kuppelstange mitte re.<br>Connecting rod middle right         | 108218               | 9                            |
| 10                       | Schraube schwarz<br>Screw                                     | 108221               | 2                            |
| 11                       | GF-Schraube M2X4<br>Srew MX                                   | 114877               | 2                            |
| 12                       | Schraube M2X25<br>Screw M2x25                                 | 115533               | 2                            |
| 13                       | Vorlaufradsatz Speichen<br>Pilot wheelset                     | 116384               | 20                           |
| 14                       | Radsatz kl. Gewicht o. Zahn.<br>Wheelset, little weight       | 116385               | 20                           |
| 15                       | Radsatz mittl. Gew. D=1,6 o. Zahn.<br>Wheelset, middle weight | 116386               | 20                           |
| 16                       | Radsatz gr. Gew.o.Zahn.<br>Wheelset big weight                | 116387               | 20                           |
| 17                       | Radsatz mittl. Gew. m. Zahn.<br>Wheelset, middle weight       | 116388               | 20                           |
| <b>Wechselstrom AC ~</b> |   |                      |                              |
| 18                       | Radsatz kl. Gew. O. Zahn.<br>Wheelset little weigh            | 116391               | 20                           |
| 19                       | Radsatz m. Gew. O. Zahn.<br>Wheelset, middle weight           | 116392               | 20                           |
| 20                       | Radsatz gr. Gew.<br>Wheelset big weight                       | 116393               | 20                           |
| 21                       | Radsatz m. Gew. M. Zahn.<br>Wheelset, middle weight           | 116394               | 20                           |
| 22                       | Vorlaufradsatz Speichen<br>Pilot wheelset                     | 116395               | 14                           |



| Pos. Nr.<br>Pos. no.     | Beschreibung<br>Description                               | Art.-Nr.<br>Art. no. | Preisgruppe<br>Price bracket |
|--------------------------|---|----------------------|------------------------------|
| 63292                    | DB 50   | ≡                    |                              |
| 69292                    |   | ~                    |                              |
| 1                        | Motor<br>Motor  | 85131                | 57                           |
| 2                        | Puffer flach<br>Buffer flat                               | 88521                | 6                            |
| 3                        | Puffer gewölbt<br>Buffer vaulted                          | 88522                | 6                            |
| 4                        | Standardkupplung<br>Coupling standard                     | 89246                | 5                            |
| 5                        | Tenderleitungssatz<br>Tender body assembly                | 100166               | 8                            |
| 6                        | Tenderplatine<br>Tenderprinted                            | 109398               | 48                           |
| 7                        | Tendergewicht<br>Tender weight                            | 109405               | 10                           |
| 8                        | Kohlegewicht<br>Carbon weight                             | 109868               | 15                           |
| 9                        | Feder<br>Spring   | 112580               | 2                            |
| 10                       | GF-Schraube 1,6X6<br>GF-screw 1,6X6                       | 114836               | 2                            |
| 11                       | Feder<br>Spring   | 114880               | 2                            |
| 12                       | GF-Schraube M1,6x10<br>GF-Screw M 1,6x10                  | 114881               | 2                            |
| 13                       | Tenderrahmen<br>Tender frame                              | 120213               | 29                           |
| 14                       | Kohlekasten ES + Stirnteil<br>Coal box and front part set | 120214               | 21                           |
| 15                       | Tendergehäuse<br>Tender pipe                              | 120215               | 26                           |
| <b>Wechselstrom AC ~</b> |   |                      |                              |
| 16                       | Decoder Motorola m.Lastr.<br>Decoder motorola             | 10738                | ---                          |
| 17                       | Tenderplatine<br>Tenderprinted                            | 109890               | 48                           |



| Pos. Nr.<br>Pos. no.    | Beschreibung<br>Description                                | Art.-Nr.<br>Art. no. | Preisgruppe<br>Price bracket |
|-------------------------|--|----------------------|------------------------------|
| 63292                   | DB 50  |                      |                              |
| 69292                   |  | ~                    |                              |
| 1                       | Haftrings.10Stk.10,3-12,8mm<br>Traction tires set          | 40069                | ---                          |
| 2                       | Ansatzschraube M 2X5<br>Screw M 2X5                        | 85669                | 2                            |
| 3                       | Zahnrad Z=19<br>Gear Z=19                                  | 86417                | 2                            |
| 4                       | Zahnrad<br>Gear  | 86418                | 2                            |
| 5                       | Schnecken Zahnrad<br>Gear                                  | 86490                | 4                            |
| 6                       | Radsatz ohne Zahnrad<br>Wheelset without gear              | 90454                | 16                           |
| 7                       | Radsatz mit 2 Haftringen<br>Wheelset with 2 traction tires | 90690                | 18                           |
| 8                       | Tendergetriebebesatz<br>Tender gear set                    | 100136               | 24                           |
| 9                       | Druckfeder<br>Spring                                       | 108226               | 2                            |
| 10                      | Blende<br>Bogie frame                                      | 108227               | 12                           |
| 11                      | Zurüstbeutel<br>Bag with accessories                       | 116371               | 28                           |
| 12                      | GF -Schraube M2x4<br>GF -Screw M2x4                        | 114877               | 2                            |
| <b>Wechselstrom AC~</b> |  |                      |                              |
| 13                      | Haftrings.10Stk. 10,3-12,4mm<br>Traction tires set         | 40074                | ----                         |
| 14                      | Schleifer kurz<br>Collector short                          | 40500                | ----                         |
| 15                      | Tenderradsatz<br>Wheelset Tender                           | 108304               | 18                           |
| 16                      | Radsatz mit 2 Haftringen<br>Wheelset with 2 Traction tires | 109889               | 20                           |
| 17                      | GF -Schraube M1,6x5<br>GF-Screw M1,6x5                     | 115269               | 2                            |



Ersatzteile erhalten Sie bei Ihrem Fachhändler,  
oder Ihrer Landesvertretung:  
You can order your Replacement Parts at your  
local dealer, your country representative.