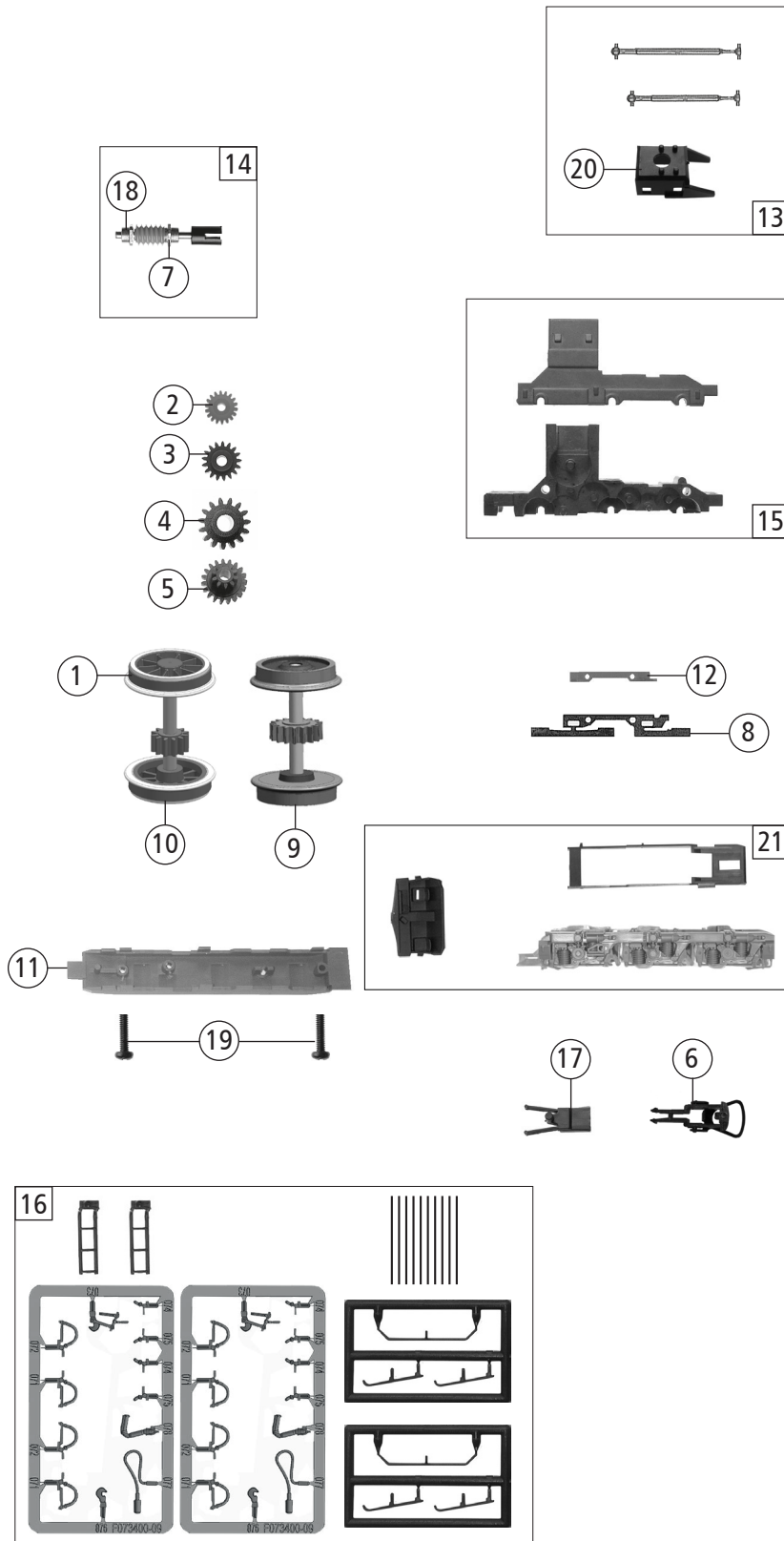


| 52466 | | ECCORAIL | BR 232 | = | |
|---------------------|---|---------------------|------------------------------|---|---|
| 52467 | | | | = | 🔊 |
| Pos. Nr. Pos.no. | Beschreibung Description | Art.-Nr. Art.no. | Preisgruppe Price bracket | | |
| 1 | Motor Motor | 85091 | 28 | | |
| 2 | Kardanschale kurz 1,5mm Cardan reception short 1,5mm | 87129 | 4 | | |
| 3 | Platine komplett Printed circuit board assembly | 140680 | 21 | | |
| 4 | Puffer eckig Buffer square | 106775 | 4 | | |
| 5 | Laufblech Runway | 142646 | 5 | | |
| 6 | Gummibettung Rubber bedding | 89728 | 4 | | |
| 7 | Brückenstecker Connector | 133241 | 10 | | |
| 8 | Lichtleitstäbesatz Set of light conductors | 101236 | 7 | | |
| 9 | Motorauflage Motor overlay | 101238 | 4 | | |
| 10 | Grundrahmen Basic frame | 142636 | 16 | | |
| 11 | Tank Tank | 142637 | 10 | | |
| 12 | TS-Gehäuse lackiert Part set body painted | 142645 | 10 | | |
| 13 | Scheinwerfer Headlight | 140713 | 4 | | |
| 14 | GF-Schraube M2x5 mm Self-tapping screw M2x5 mm | 114966 | 3 | | |
| 15 | Lichtabdeckungsfolie Light cover foil | 115215 | 5 | | |
| 16 | Lokführer Loco driver | 110407 | 6 | | |
| 17 | Führerstand lackiert Driver's cab painted | 121183 | 6 | | |
| 18 | Gehäuse kpl. Betr.Nr. 232-443-2 Body ass. Loco no. 232-443-2 | 142644 | 31 | | |
| 19 | Stirn-und Seitenfenster Front and side window | 142647 | 8 | | |
| 20 | Kontaktfeder Contact spring | 116876 | 3 | | |
| Sound | | | | | |
| 21 | Lautsprecher Loudspeaker | 129524 | 14 | | |
| 22 | Sounddecoder Sound-decoder | 141205 | 39 | | |
| 23 | Soundbox Sound box | 139681 | 6 | | |

Änderungen in Konstruktion und Ausführung vorbehalten
We reserve the right to change the construction and specification



| 52466 | | ECCORAIL | BR 232 | = | |
|---------------------|---|---------------------|------------------------------|---|---|
| 52467 | | | | = | 🔊 |
| Pos. Nr. Pos.no. | Beschreibung Description | Art.-Nr. Art.no. | Preisgruppe Price bracket | | |
| 1 | Hafringsatz 10 Stk., 12,5-13,8mm Set with traction tyres 10 pieces | 40066 | -- | | |
| 2 | Zahnrad Z=17 M=0,4G Gear wheel Z=17 M=0,4G | 86418 | 5 | | |
| 3 | Schneckenzahnrad doppelt Z=16/17 Worm gear wheel double Z=16/17 | 86419 | 6 | | |
| 4 | Zahnrad Z=18 gerade M=0,4 Gear wheel Z=18 straight M=0,4 | 86460 | 3 | | |
| 5 | Zwischenzahnrad Z=14 Intermediate gear wheel Z=14 | 86480 | 3 | | |
| 6 | Standardkupplung Standard coupling | 89246 | 6 | | |
| 7 | Lager für Schneckenachse Bearing for worm gear axle | 89749 | 6 | | |
| 8 | Radkontakt Wheel contact | 89956 | 5 | | |
| 9 | Radsatz m. Zahnrad o. Hafring Wheelset w.gear w/o traction tyre | 140707 | 11 | | |
| 10 | Radsatz m. Hafringen m. Zahnrad Wheelset w.gear w.traction tyres | 140708 | 12 | | |
| 11 | Getriebedeckel Gear cover | 121182 | 6 | | |
| 12 | Kontakthalter Contact holder | 107586 | 6 | | |
| 13 | TS-Kardanwelle und Schneckendeckel Part set cardan shaft a.worm gear cover | 101240 | 8 | | |
| 14 | Schneakensatz mit Kardanschale Set of worm gear incl.cardan reception | 101242 | 13 | | |
| 15 | Getriebebesatz 2-teilig Gear set 2-parts | 101244 | 11 | | |
| 16 | Zurüstbeutel Bag with accessories | 142648 | 11 | | |
| 17 | Kupplungskammer Coupling reception | 111944 | 4 | | |
| 18 | Anlaufscheibe Washer | 114622 | 3 | | |
| 19 | GF-Schraube M1,6x6 mm Self-tapping screw M1,6x6 mm | 114836 | 3 | | |
| 20 | Schneckendeckel Worm gear cover | 121285 | 4 | | |
| 21 | TS - Blende Part set bogie | 112689 | 13 | | |