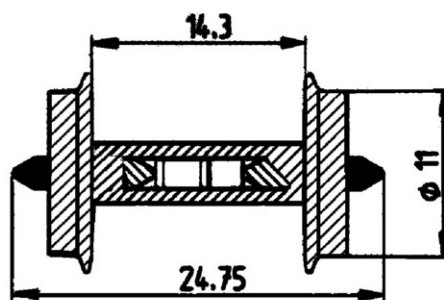


Wheel set with resistor



Art. No.: 40186

€12,40

Wheel set for direct current, with 18 k Ω resistor for track busy indicator.

Wheel diameter: 11 mm.

Axle length: 24.75 mm.

Content: 2 pieces/package.