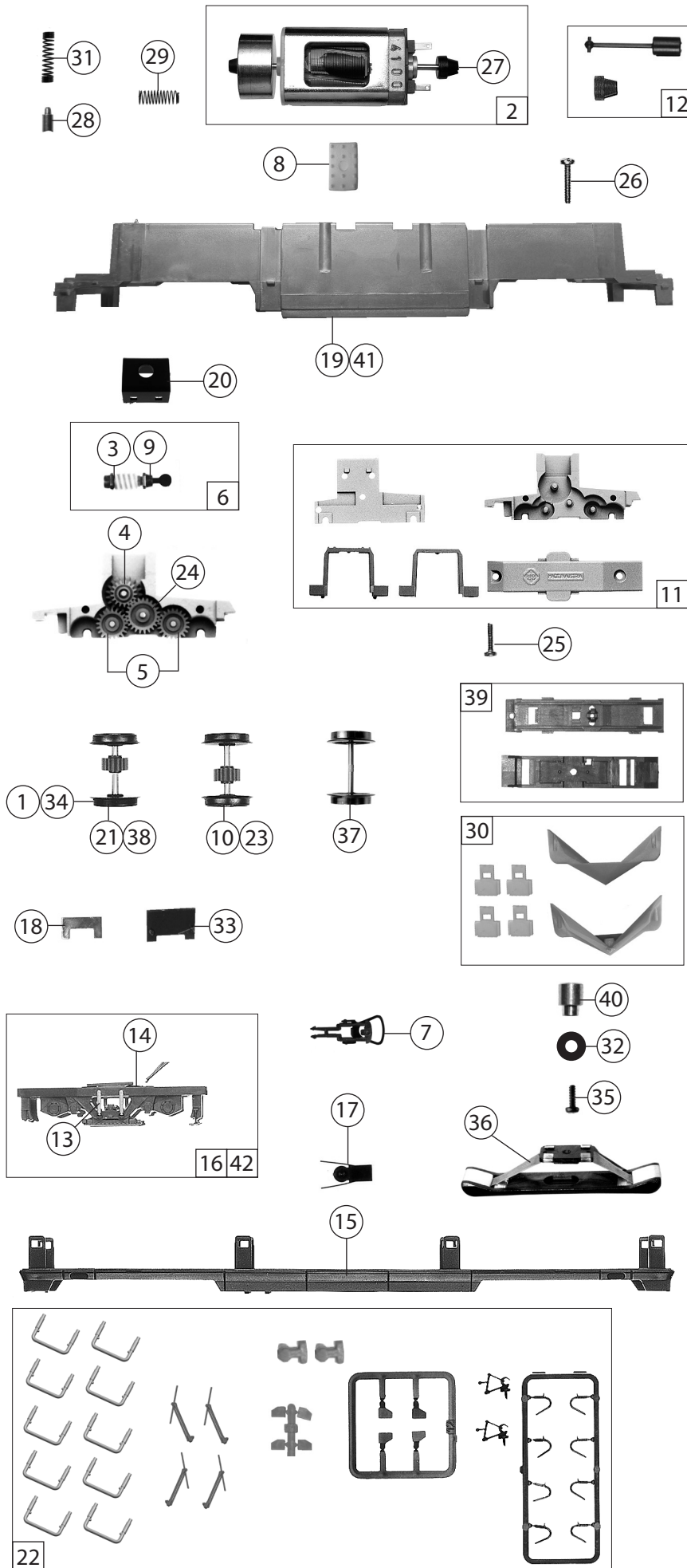


| Pos. Nr. Pos.no. | Beschreibung Description | Art.-Nr. Art.no. | Preisgruppe Price bracket |
|---------------------|--|---------------------|------------------------------|
| 70658 | NSB EL 18 | | |
| 70659 | | | |
| 78659 | | | |
| 1 | Stromabnehmer Pantograph | 85326 | 18 |
| 2 | GF-Schraube M2x5mm Self-tapping screw M2x5 mm | 114966 | 3 |
| 3 | Platine kpl. m. LED-Platine PCB complete with LED-PCB | 138482 | 28 |
| 4 | Zurüstbeutel Bag with accessories | 95961 | 9 |
| 5 | LED-Platine LED-PCB | 134404 | 15 |
| 6 | Dachboden lackiert Attic, painted | 138495 | 6 |
| 7 | Dachdeckel lackiert Roof cover painted | 138501 | 5 |
| 8 | TS-Scheinwerfer und Lichtleiter Part set headlight and light conductor | 126670 | 10 |
| 9 | TS-Isolatoren Part set isolators | 100076 | 8 |
| 10 | Führerstand Driver's cab | 138496 | 6 |
| 11 | Lichtabdeckung Light cover | 100079 | 3 |
| 12 | Spitzenlichthülse Front light tube | 100081 | 3 |
| 13 | Funkantenne Radio aerial | 100082 | 3 |
| 14 | Trittlech Treadle | 138497 | 3 |
| 15 | Puffer links Buffer left | 138480 | 3 |
| 16 | Puffer rechts Buffer right | 138488 | 3 |
| 17 | Brückenstecker Connector | 133241 | 10 |
| 18 | Lichtschutz Light protection | 101812 | 6 |
| 19 | Stirn- + Seitenfenster bedruckt Front and side window printed | 145247 | 9 |
| 20 | Schraube M1,6x5mm Screw M1,6x5 mm | 110008 | 3 |
| 21 | Lokführer Loco driver | 110407 | 6 |
| 22 | Gehäuse kpl. Betr.Nr. 18 2247 Body ass. no. 18 2247 | 145246 | 33 |
| 23 | TS-Lichtabdeckung Part set light cover | 126664 | 6 |
| 24 | Türgriff Door handrail | 143329 | 4 |
| 25 | Decal Satz Decal set | 141560 | 19 |
| 26 | TS - Spiegel Part set - mirrors | 145249 | 7 |
| Sound | | | |
| 27 | Sounddecoder Sound-decoder | 129000 | 39 |
| 28 | Lautsprecher Loudspeaker | 129524 | 13 |
| 29 | Platine kpl. m. LED-Platine und Lautspr. PCB complete with LED-PCB a. loudsp. | 138499 | 32 |

Änderungen in Konstruktion und Ausführung vorbehalten
We reserve the right to change the construction and specification



| | | | | |
|-------|-----|-------|---|---|
| 70658 | NSB | EL 18 | = | |
| 70659 | | | = | 🔊 |
| 78659 | | | ~ | 🔊 |

| Pos. Nr. Pos.no. | Beschreibung Description | Art.-Nr. Art.no. | Preisgruppe Price bracket |
|--------------------------|--|---------------------|------------------------------|
| 1 | Haftreifensatz 10Stk. 12,5-13,8mm Setwithtractiontyres 10pieces 12,5-13,8mm | 40066 | --- |
| 2 | Motor Motor | 85086 | 28 |
| 3 | Beilagscheibe 2,1x4/0,2 mm Washer 2,1x4/0,2 | 86108 | 3 |
| 4 | Schneckenzahnrad Z17/19 Worm gear wheel Z17/19 | 86413 | 5 |
| 5 | Zahnrad Z=21 G/M=0,4 Gear wheel Z=21 G/M=0,4 | 86414 | 3 |
| 6 | Schnecksatz mit Kardankugel Set of worm gear incl. cardan ball | 86877 | 13 |
| 7 | Standardkupplung Standard coupling | 89246 | 6 |
| 8 | Gummibettung Rubber bedding | 89728 | 4 |
| 9 | Lager für Schneckenachse Bearing for worm gear axle | 89749 | 6 |
| 10 | Radsatz m. Zahnrad o. Haftring Wheelset w.gear wheel w/o traction tyre | 90678 | 11 |
| 11 | Getriebesatz 5-teilig Gear set 5-parts | 138493 | 14 |
| 12 | Gelenkwelle und Kardanschale Cardan shaft and cardan reception | 100075 | 8 |
| 13 | Stoßdämpfer Shock absorber | 138492 | 5 |
| 14 | Radkontakt Wheel contact | 100090 | 6 |
| 15 | Gehäuseunterteil Lower section of body | 138479 | 10 |
| 16 | Blende kpl. Bogie ass. | 138483 | 15 |
| 17 | Kupplungskammer Coupling reception | 122648 | 4 |
| 18 | Kontaktthalteplatte Contact support plate | 115132 | 3 |
| 19 | Grundrahmen Basic frame | 126660 | 16 |
| 20 | Schneckendeckel Worm gear cover | 107095 | 5 |
| 21 | Radsatz m. Haftreifen m. Zahnrad Wheelset w. traction tyre w. gear wheel | 107408 | 12 |
| 22 | Zurüstbeutel Bag with accessories | 145248 | 13 |
| 23 | Radsatz m. Zahnrad o. Haftring Wheelset w.gear wheel w/o traction tyre | 107593 | 11 |
| 24 | Zahnrad Z=23 G/M=0,4 Gear wheel Z=23 G/M=0,4 | 111679 | 3 |
| 25 | GF-Schraube M2x8 mm Self-tapping screw M2x8 mm | 114923 | 3 |
| 26 | GF-Schraube M2x12 mm Self-tapping screw M2x12 mm | 114944 | 3 |
| 27 | Kardanschale kurz 1,5 mm Cardan reception short 1,5 mm | 87129 | 4 |
| 28 | Kohlebürste Carbon brush | 89743 | 6 |
| 29 | Bürstenfeder Brush spring | 114197 | 3 |
| 30 | TS - Schneepflug Part set of snow plow | 138481 | 8 |
| 31 | Motorkontaktfeder Motor contact spring | 116812 | 3 |
| AC - Wechselstrom | | | |
| 32 | Beilagscheibe Washer | 112681 | 3 |
| 33 | Kontaktthalteplatte AC Contact support plate AC | 123583 | 3 |
| 34 | Haftringsatz 10Stk. 10,3-12,4mm Set w. traction tyres 10pieces 10,3-12,4mm | 40074 | --- |
| 35 | Schraube M1,6x4 mm Screw M1,6x4 mm | 85727 | 3 |
| 36 | Schleifer 46mm Center pick-up 46mm | 86031 | 14 |
| 37 | Radsatz o. Haftring o. Zahnrad Wheelset w/o gear wheel w/o traction tyre | 90698 | 10 |
| 38 | Radsatz m. Haftreifen m. Zahnrad Wheelset w. traction tyre w. gear wheel | 90699 | 11 |
| 39 | TS - Drehgestell AC Part set - bogie AC | 138502 | 8 |
| 40 | Anschlußnippel M1,6 mm Connection nipple M 1,6 mm | 111116 | 4 |
| 41 | Grundrahmen Basic frame | 126671 | 16 |
| 42 | Blende AC Bogie AC | 138500 | 15 |

Ersatzteileerhalten Siedirekt unter www.roco.cc, bei Ihrem Fachhändler oder Ihrer Landesvertretung:
Spare parts can be ordered directly at www.roco.cc and from your local dealer or country representative.