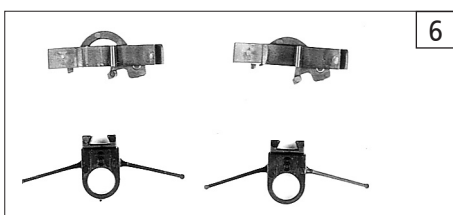
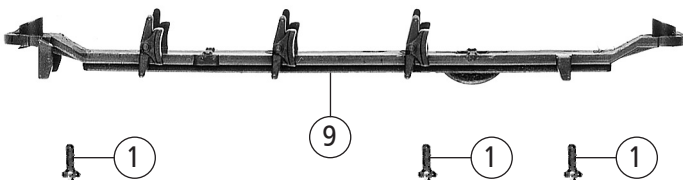
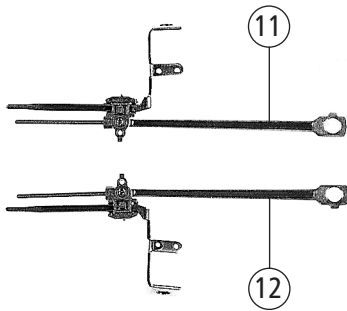
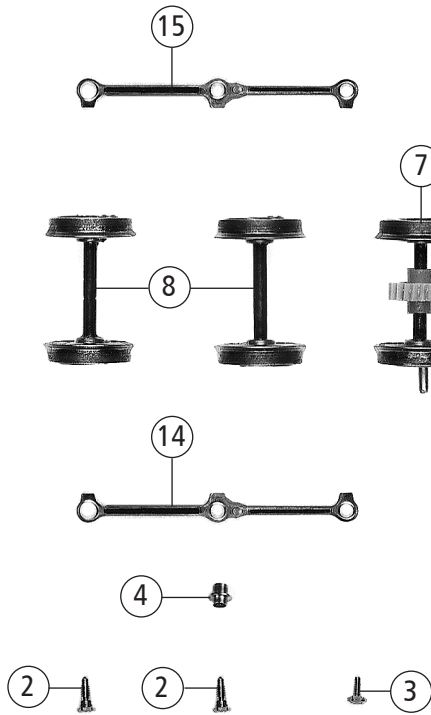
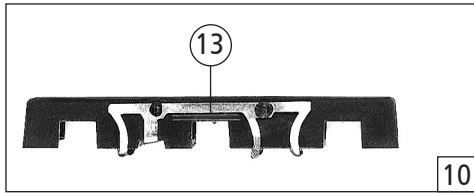


| 63338 | | DB | BR 80 | = | |
|---------------------|--|---------------------|------------------------------|---|--|
| Pos. Nr. Pos.no. | Beschreibung Description | Art.-Nr. Art.no. | Preisgruppe Price bracket | | |
| 1 | Motor Motor | 85110 | 28 | | |
| 2 | Schraube M 1,6 x 5 Screw M 1,6 x 5 | 85702 | 4 | | |
| 3 | Druckfeder Spring | 86209 | 3 | | |
| 4 | Zahnrad z=14r; m 0,4 Gear T=14r; m 0,4 | 86403 | 3 | | |
| 5 | Zahnrad z=17l; m 0,4 LI Gear T=17l; m 0,4 LI | 86406 | 3 | | |
| 6 | Platine kpl. Printed circuit assembly | 87831 | 21 | | |
| 7 | Achse 2,6 x 9,3 Axle 2.6 x 9.3 | 89700 | 4 | | |
| 8 | Achse 2,6 x 11,5 Axle 2.6 x 11.5 | 89701 | 3 | | |
| 9 | Seuthe Kontakt 1 Seuthe contact 1 | 89974 | 5 | | |
| 10 | Seuthe Kontakt 2 Seuthe contact 2 | 89975 | 5 | | |
| 11 | Hebel links Lever left | 91075 | 3 | | |
| 12 | Hebel rechts Lever right | 91076 | 3 | | |
| 13 | Laternensatz Lanterne | 95080 | 7 | | |
| 14 | Dachlüfter Roof vent | 95082 | 3 | | |
| 15 | Fenster vorne Window front | 95083 | 5 | | |
| 16 | Fenster hinten Window back | 95084 | 3 | | |
| 17 | Motorspange Motor clamp | 106663 | 4 | | |
| 18 | Seuthehalter Seuthe holder | 106912 | 6 | | |
| 19 | Schneckenabdeckung Worm cover | 106914 | 4 | | |
| 20 | Schiebereinsatz Slide insert | 107249 | 3 | | |
| 21 | Zylinderschutzrohr Protection tube | 107250 | 3 | | |
| 22 | Brückenstecker rot Bridge connector, red | 108037 | 6 | | |
| 23 | Grundrahmen Loco frame | 108973 | 12 | | |
| 24 | Zylinderarretierung Cylinder holder | 109304 | 4 | | |
| 25 | Niederhalter Board fixing | 111377 | 4 | | |
| 26 | Puffer flach Buffer flat | 111379 | 3 | | |
| 27 | Puffer gewölbt Buffer vaulted | 111380 | 3 | | |
| 28 | Zylinderblock Cylinder block | 106653 | 12 | | |
| 29 | Gehäuse lackiert ,bedruckt Betr. Nr.80 039 Body Shell ass. printed,painted loco no.80 039 | 142073 | 23 | | |

Änderungen in Konstruktion und Ausführung vorbehalten
We reserve the right to change the construction and specification



| 63338 | | DB | BR 80 | ≡ | |
|---------------------|---|---------------------|------------------------------|---|--|
| Pos. Nr. Pos.no. | Beschreibung Description | Art.-Nr. Art.no. | Preisgruppe Price bracket | | |
| 1 | Schraube M 2 x 6 Screw M 2 x 6 | 114828 | 3 | | |
| 2 | Schraube M 1,4 x 3,2 / 1.1 Screw M 1,4 x 3,2 / 1.1 | 85764 | 3 | | |
| 3 | Schraube M 1 x 3,6 Screw M 1 x 3,6 | 85765 | 3 | | |
| 4 | Distanzhülse Distance tube | 86100 | 6 | | |
| 5 | Standardkupplung Coupling | 121930 | 8 | | |
| 6 | Zurüstbeutel Bag with accessories | 122015 | 11 | | |
| 7 | Radsatz mit Zahnrad Wheelset with gear | 90448 | 12 | | |
| 8 | Radsatz ohne Zahnrad Wheelset without gear | 90449 | 10 | | |
| 9 | Getriebeboden Gears bottom | 95085 | 12 | | |
| 10 | Kontaktträger komplett Contact holder assembly | 95087 | 12 | | |
| 11 | Steuerung links Steering left | 106507 | 21 | | |
| 12 | Steuerung rechts Steering right | 106508 | 21 | | |
| 13 | Radkontakt Wheel contact | 107926 | 3 | | |
| 14 | Kuppelstange links Connecting rod left | 106509 | 7 | | |
| 15 | Kuppelstange rechts Connecting rod right | 106510 | 7 | | |